

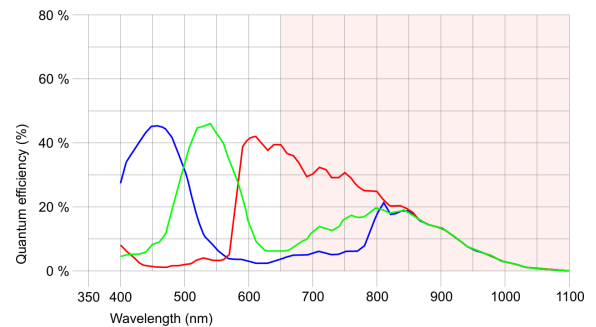
## U3-3240LE-C-HQ



## Specification

### Sensor

Sensor type	CMOS Color
Shutter	Global Shutter
Sensor characteristic	Linear
Readout mode	Progressive scan
Pixel Class	SXGA
Resolution	1.31 Mpix
Resolution (h x v)	1280 x 1024 Pixel
Aspect ratio	5:4
ADC	10 bit
Color depth (camera)	10 bit
Sensor Size	1/1.8"
Optical Size	6.784 mm x 5.427 mm
Optical sensor diagonal	8.69 mm (1/1.84")
Pixel size	5.3 $\mu$ m
Manufacturer	e2v
Sensor Model	EV76C560ACT
Gain (master/RGB)	4x/4x
AOI horizontal	same frame rate
AOI vertical	increased frame rate
AOI image width / step width	80 / 2
AOI image height / step width	60 / 2
AOI position grid (horizontal/vertical)	2 / 2
Binning horizontal	same frame rate
Binning vertical	increased frame rate
Binning method	M/C automatic
Binning factor	2
Subsampling horizontal	-
Subsampling vertical	-
Subsampling method	-
Subsampling factor	-



## U3-3240LE-C-HQ

### Model

Pixel clock range	7 MHz - 86 MHz
Frame rate freerun mode	59.0 fps
Frame rate trigger	-
Exposure time (minimum - maximum)	0.009 ms - 2000 ms
Power consumption	1.3 W - 1.5 W
Special features	Scaler

### Ambient conditions

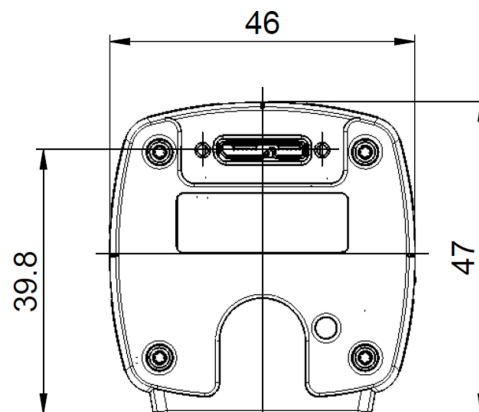
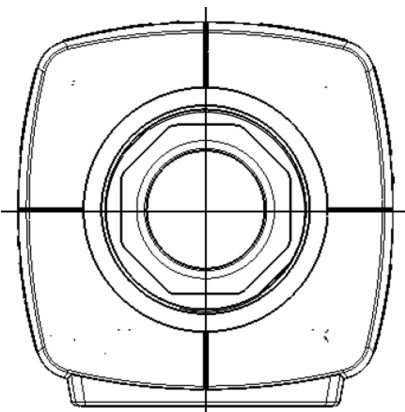
Ambient temperature	0 °C - 40 °C / 32 °F - 104 °F
Storage temperature	-20 °C - 60 °C / -4 °F - 140 °F
Relative humidity	20 % - 80 %

### Connectors

Interface connector	USB 3.0 micro-B, screwable
I/O connector	-
Power supply	USB cable

### Design

Lens Mount	CS- / C-Mount
IP code	IP30
Dimensions H/W/L	47.0 mm x 46.0 mm x 26.3 mm
Mass	39 g



## U3-3240LE-C-HQ

